

A-TEC PMM-6 9MM PISTOL SILENCER

The A-TEC PMM-6 (Pistol Modular Moderator) is a high performance silencer that is one of the lightest and most efficient pistol silencers on the market. The PMM-6 is a silencer with a unique spring loaded piston, made to work with modern 9mm semi-auto pistols with different types of ammo.

A-TEC decided to introduce the revolutionary modular system on the PMM-6 allowing the operator to reconfigure the silencer to shorter or longer design. The PMM-6 has up to 6 modules that are made from light alloys. The silencer is constructed from aluminium and stainless steel.

The spring loaded piston (Nielsen device) will need to be cleaned every 300 shot, and lubed (greased) up again.

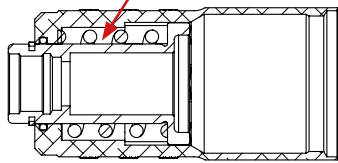
| | |
|----------------------|---------------------------------|
| OVERALL PERFORMANCE: | 36 DB(C) |
| SILENCER WEIGHT: | 215 G |
| DIAMETER: | 34,4 MM |
| OVER BARREL LENGTH: | 10 MM |
| ADDED LENGTH: | 185 MM |
| TOTAL LENGTH: | 195 MM |
| MATERIAL | ALUMINIUM, STAINLESS STEEL |
| TREATMENT: | BLACK ANODISED |
| AVAILABLE CALIBRES: | 9X19 |
| AVAILABLE MOUNTING: | 1/2"-28 UNEF, M13.5X1 LH, M13X1 |



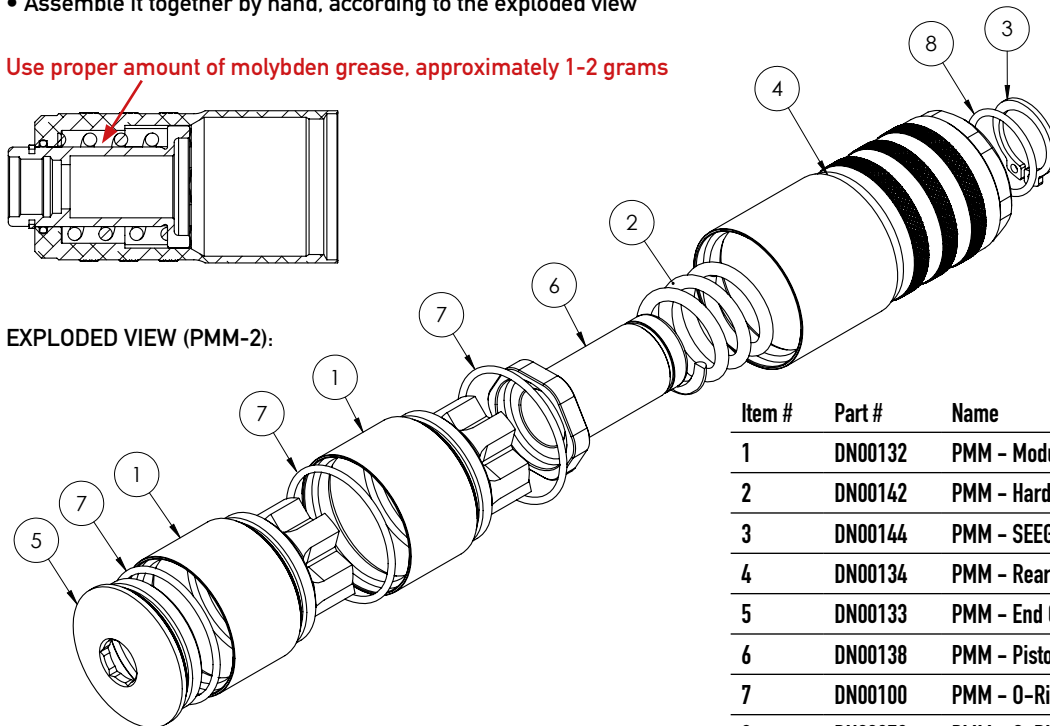
ASSEMBLY & MAINTENANCE:

- Disassemble the parts
- Clean & degrease all parts
- Grease all threads, o-rings and the moving piston
- Assemble it together by hand, according to the exploded view

Use proper amount of molybden grease, approximately 1-2 grams



EXPLODED VIEW (PMM-2):



| Item # | Part # | Name | No. items |
|--------|---------|-------------------------|-----------|
| 1 | DN00132 | PMM - Module 9mm | 6 |
| 2 | DN00142 | PMM - Hard Spring | 1 |
| 3 | DN00144 | PMM - SEEGER Clip | 1 |
| 4 | DN00134 | PMM - Rear Section | 1 |
| 5 | DN00133 | PMM - End Cap | 1 |
| 6 | DN00138 | PMM - Piston M13.5x1 LH | 1 |
| 7 | DN00100 | PMM - O-Ring Module | 7 |
| 8 | DN00372 | PMM - O-Ring Piston | 1 |